

How to install Hanchu 3 phase inverter meter/CTs

v1.0 Updated on 19 July 2024

Applicable products: HESS-HY-T1-05-12K

The Hanchu three-phase inverter can optionally be fitted with a meter or the CTs for grid measurement.

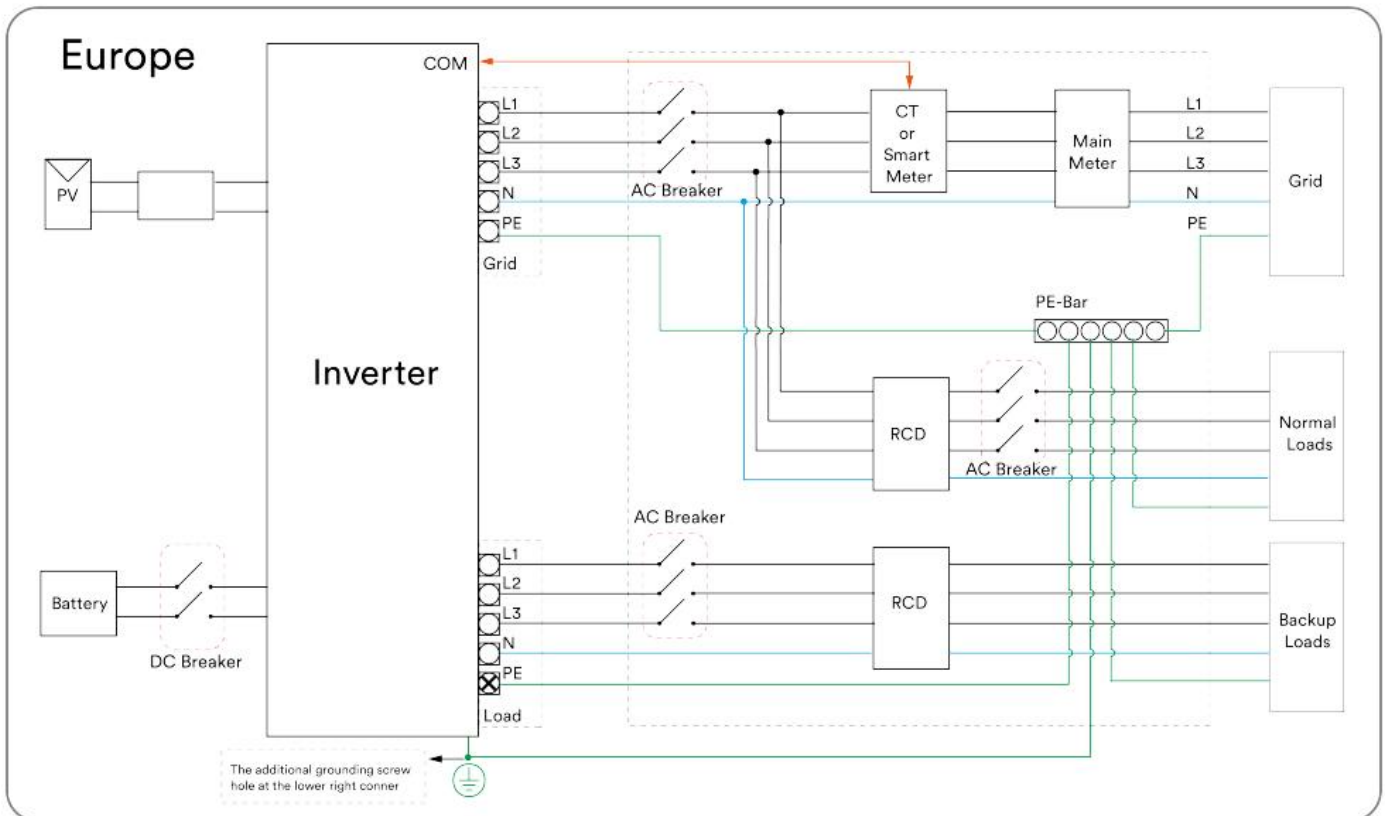
There are 2 steps to installing meters/CTs :

Step 1: Install the meter/CTs on the main grid side.

Step 2: Connect the communication cable between the meter/CTs and the inverter

Note: Both meter and CTs are included in the inverter packing list, you only need to choose one according to the actual installation situation.

Inverter connection topology diagram



Installation Method 1: Meter Installation

There are 2 steps in meter installation:

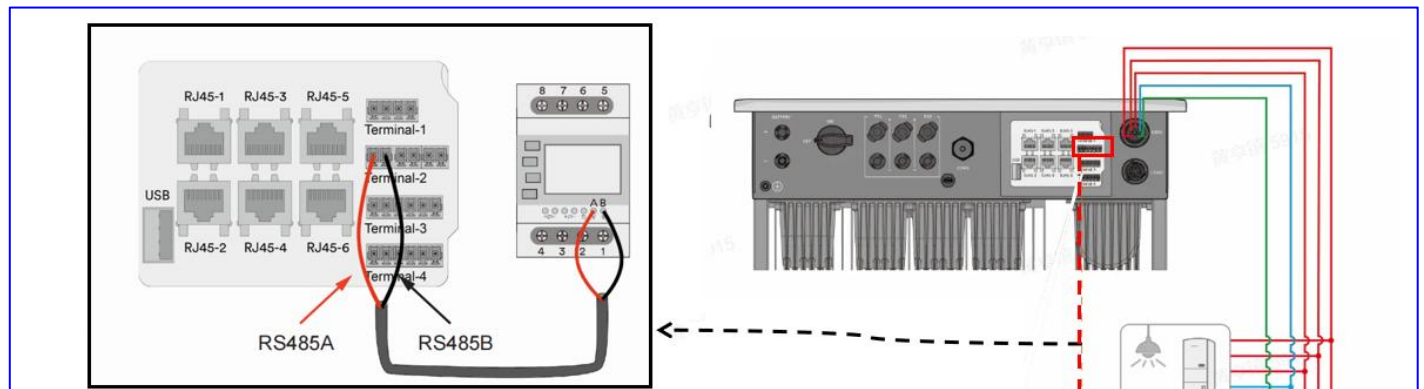
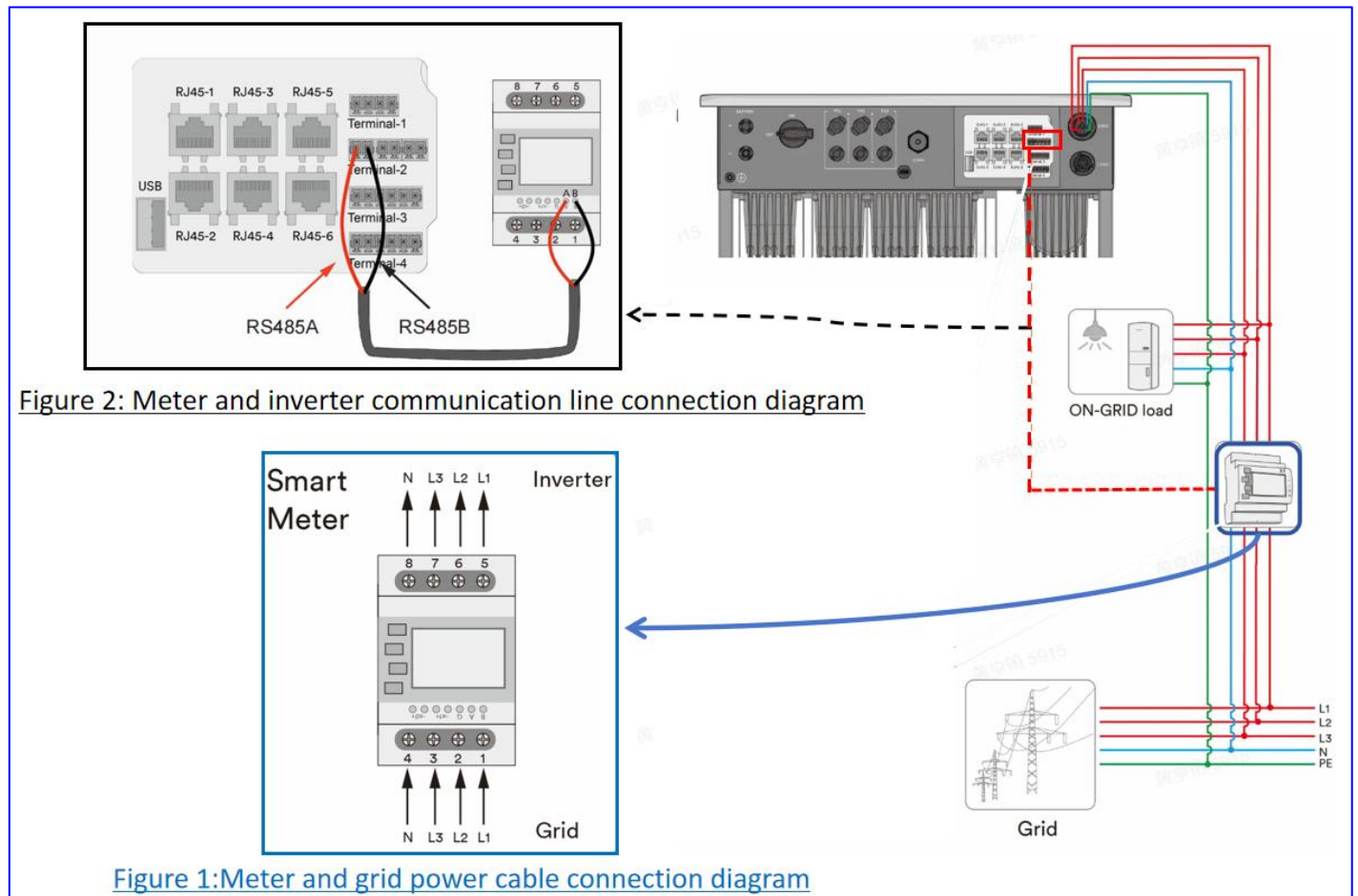
Step 1: Connecting the meter to the grid cable, please see Figure 1.

Location requirements: Installation on the side of the mains grid.

Direction requirements: Meter PORT 1/2/3/4 is connected to L1/L2/L3/N on the grid side.

Step 2: Connecting the meter to the inverter with a communication cable, please see Figure 2.

Wire Sequence Connection Requirements: Meter PORT A is connected to the Pin1 of terminal-2 of the inverter. Meter PORT B is connected to the Pin2 of terminal-2 of the inverter.



Installation Method 2: CTs Installation

There are 2 steps in CT installation:

Step 1: Connecting the CTs to the grid cable, please see Figure 1.

Location requirements: Installation on the **side of the mains grid**.

Direction requirements: Arrow direction of CT **towards the inverter**.

Step 2: Connecting the 3 CTs to the inverter with 3 communication cables, please see Figure 2.

Wire Sequence Connection Requirements: The red wire of the CT on L1 is connected to pin 1 of the inverter terminal-4, the black wire is connected to pin 2, and so on, the red wire of the CT on L2 is connected to pin 3, the black wire is connected to pin 4, the red wire of the CT on L3 is connected to pin 5, the black wire is connected to pin 6.

Note: When the CT cable needs to be extended, the standard network cable can be used (contains 8 wires, 3 ct only need to use 6 of them)

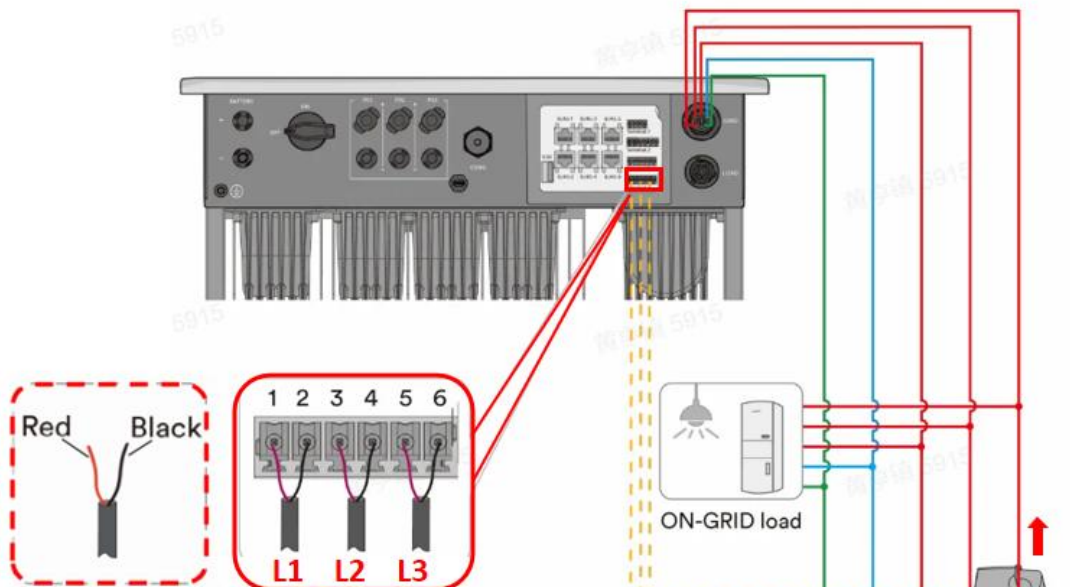


Figure 2: CTs and inverter communication connection diagram

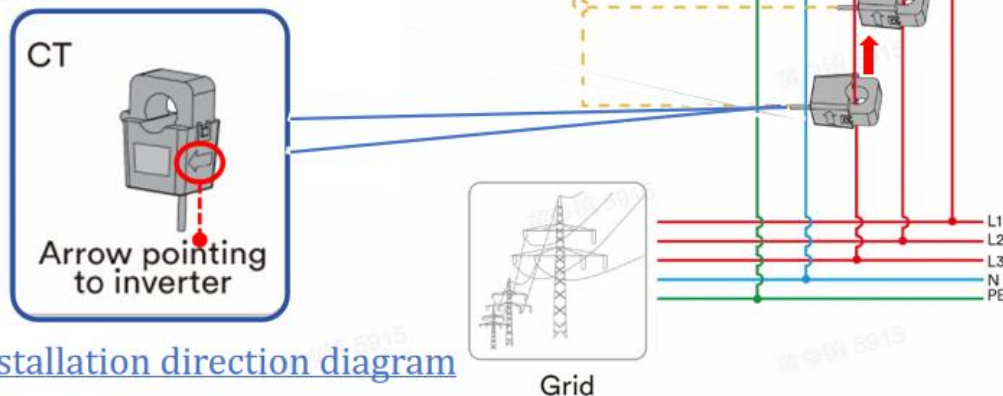


Figure 1: CTs installation direction diagram